








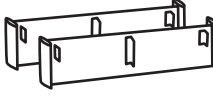




Queen/Double

| Hardware: | BED SIZE | |
|---|----------|---------|
| | Q & D | |
| A  Medium Pan Head Bolts | 8 | 3/4"L |
| B  Long Pan Head Bolts | 4 | 1 1/8"L |
| C  Mending Plates | 2 | |
| D  Small Pan Head Bolts | 8 | 5/8"L |
| E  4mm Allen Wrench | 1 | |
| F  "L" Brackets | 4 | |
| G  Allen Bolts | 4 | 1"L |

| Parts: | BED SIZE | |
|--|----------------------------------|--|
| | Q & D | |
| H  Side Beams | 2 | |
| I  Center "1" Beam | 1 | |
| J  Bases | 2 | |
| K  Top Cap | 1 | |
| L  T-nut | Already installed in beams (H+I) | |

BEFORE YOU BEGIN:

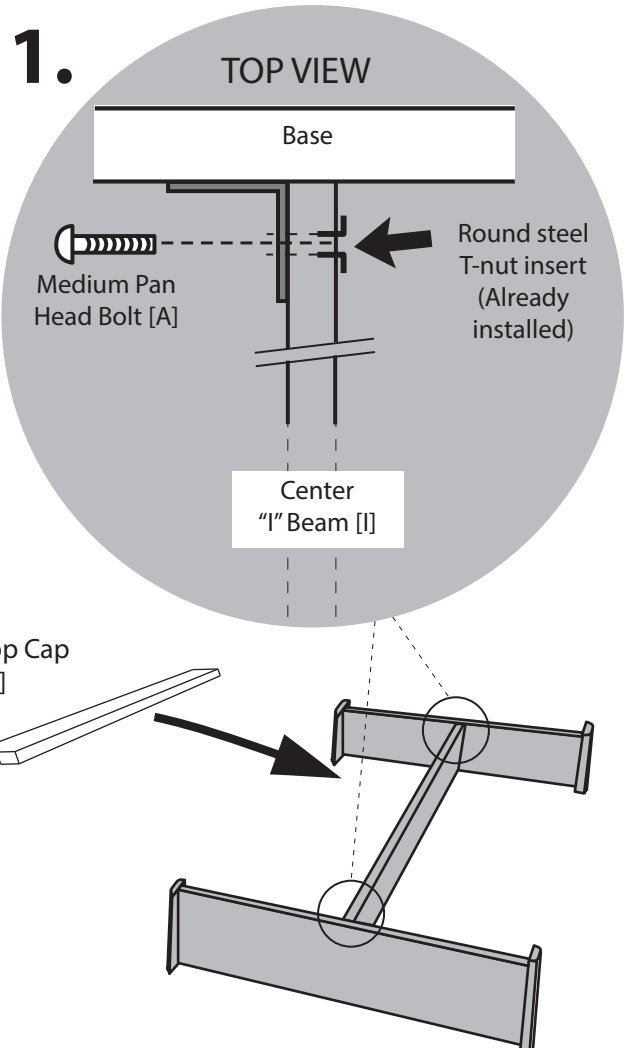
- Clear an 8' x 8' space for your new bed.
- Assembly requires only 2 tools: a 4mm Allen wrench [included] and a Phillips head screwdriver (not included).
- Please read all instructions carefully.
- See the diagrams for important details.

STEP 1: Attach Center "1" Beam(s)

- On each side of Center "1" Beam(s), insert Medium Pan Head Bolts [A] (1 on the top, 1 on the bottom) through steel bracket, then through the Center "1" Beam(s) plywood, and lock into T-nut inserts [L] on the far side of plywood. These bolts clamp plywood tight in a vise.
- For Queen and Double beds, position top cap [K] on "1" Beam [I].

Important!

- Position Center Beam & Side Beams so:
- T-nut Inserts always face away from brackets.
 - To properly align holes, DO NOT FULLY TIGHTEN any bolts until all bolts are in place.



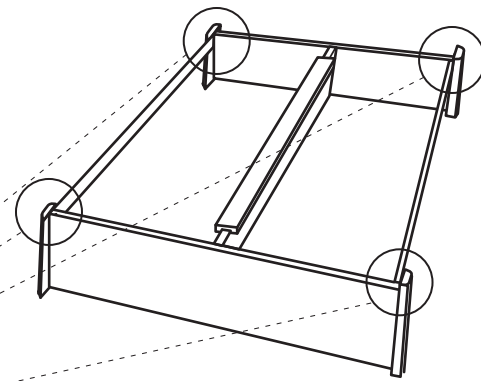
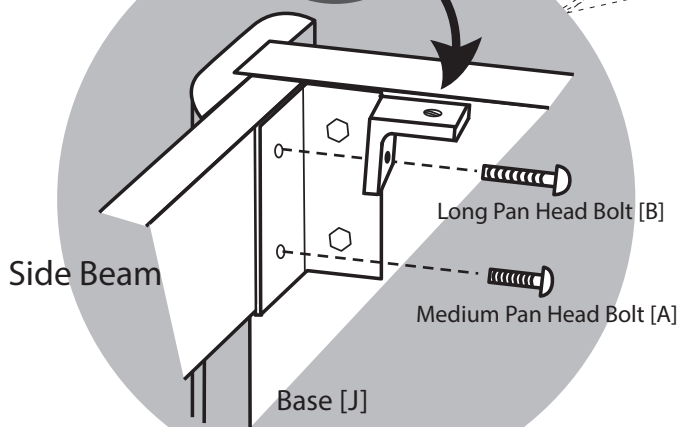
STEP 2:

- With 1 Long Pan Head Bolt [B] and 1 Medium Pan Head Bolt [A], attach Side Beams [H] to Bases [J]. Bolt to all four corners as shown.

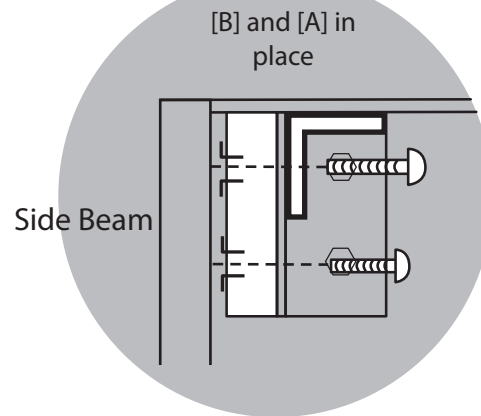
- Pay careful attention that threaded hole in "L" Brackets [F] (marked with a circle) faces up.

2.

Important!
Threaded hole faces up!



SIDE VIEW

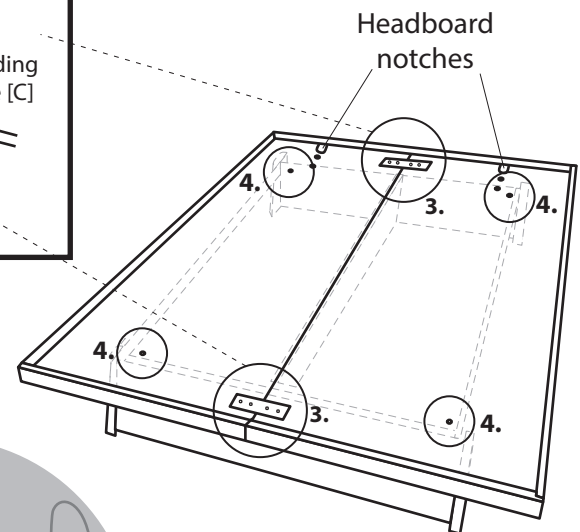
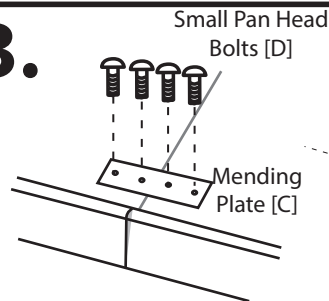


STEP 3:

- Align deck halves in place on top of bases [J]. MAKE CERTAIN deck end with headboard notches is closest to head of the bed/wall.

- Join two deck halves with Mending Plates [C] and Small Pan Head Bolts [D] (4 at head, 4 at foot). Ends should be even at head and foot.

3.



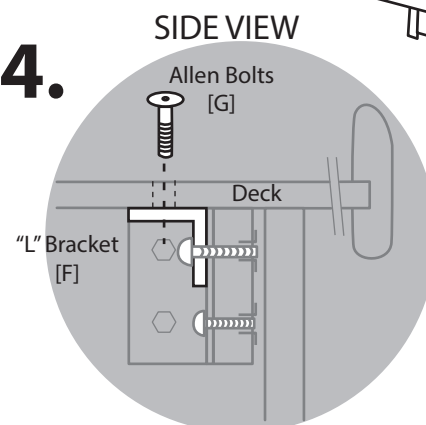
STEP 4:

- Line up the four holes in the platform (move deck as necessary) with the "L" Brackets [F] in the base underneath.

- Attach the deck using the Allen Bolts [G] with the Allen Wrench [E]. If you purchased under bed storage drawers, roll them underneath now.

- To properly align holes, DO NOT FULLY TIGHTEN any bolts until all bolts are in place.

4.



STEP 5:

- Put mattress on top of deck.
- For headboard assembly, please see additional instructions.
- Enjoy your new Bedworks Floating Platform Bed!

PAGE 2

© Bedworks 2020