





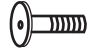


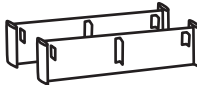




# Assembly Instructions: Bedworks *Floating Platform Bed*

HARDWARE				
PART		Q&D	K	T
	Short Pan Head Bolts	8	12	8
	Long Pan Head Bolts	4	4	4
	Mending Plates	2	2	0
	Flat Head Bolts	8	8	0
	Allen Wrench	1	1	1
	"L" Brackets	4	4	4
	Allen Bolts	4	4	4

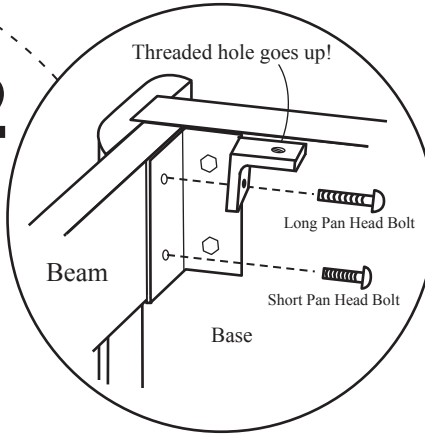
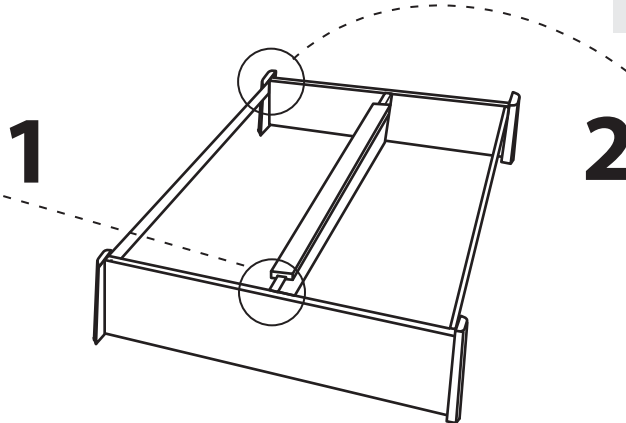
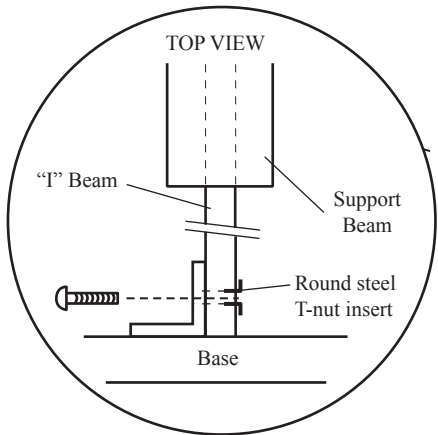
BASE PARTS				
PART		Q&D	K	T
	Beams	2	2	2
	"1" Beam	1	2	1
	Bases	2	2	2
	Support Beam	1	0	0
	T-nut inserts	Already installed in beams		

**STEP 1.** Attach the "1" Beam (kings have two) with Short Pan Head Bolts. For queen and double beds, position support beam, on the "1" Beam.

**Important Notes:**

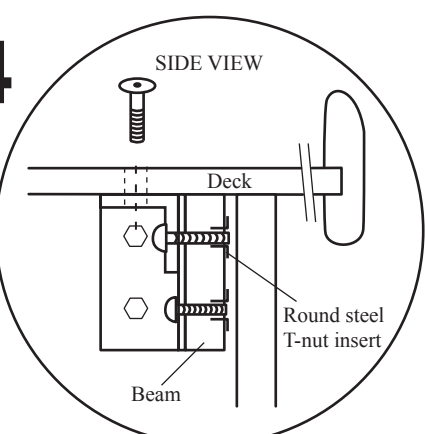
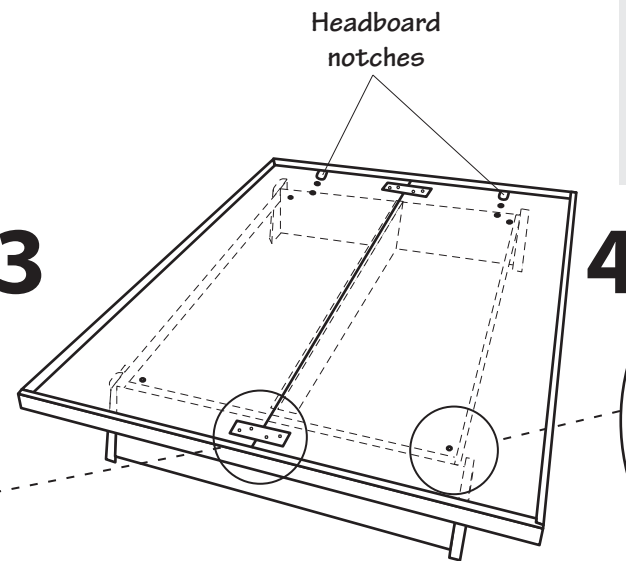
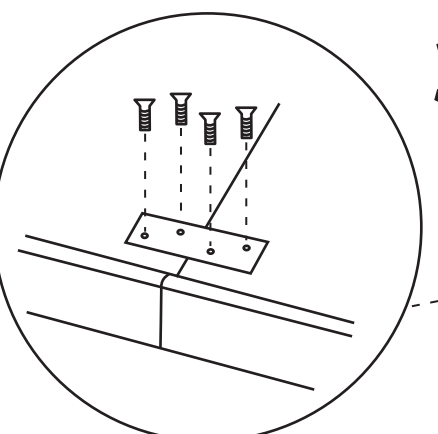
- \*T-nut Inserts always face away from brackets.
- \*T-nuts never touch the brackets.
- \*To properly align holes, do not fully tighten any bolts until all bolts are in place.

**STEP 2.** With long and short two Pan Head Bolts, attach beams to bases in all four corners as shown. The big hole in the "L" Brackets goes up. Position one base at the head of the bed about 12" from the wall.



**STEP 3.** Lay the deck halves in place on top of the base. Make certain that the headboard notches in the deck are closest to wall. Join the two deck halves with the Mending Plates and Flat Head Bolts (twin decks come in one piece).

**STEP 4.** \*Line up the four holes in the platform (move base as necessary) with the "L" Brackets in the base. Attach the deck with Allen Bolts and Hex Key Nuts. If you purchased under bed storage drawers, roll them underneath now.



© 10.11.2011