








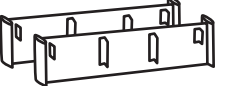




Hardware:	BED SIZE	
		K
A  Short Pan Head Bolts		12
B  Long Pan Head Bolts		4
C  Mending Plates		2
D  Flat Head Bolts		8
E  4mm Allen Wrench		1
F  "L" Brackets		4
G  Allen Bolts		4

Parts:	BED SIZE	
		K
H  Side Rails		2
I  Center "I" Beam		2
J  Bases		2
K  Support		0
L  T-nut	Already installed in beams	

### BEFORE YOU BEGIN:

- Clear an 8' x 8' space where you will assemble your bed.
- Assembly requires only 2 tools: an Allen wrench [included] and a Phillips head screwdriver (not included).
- Read all instructions carefully and use diagrams for important details.

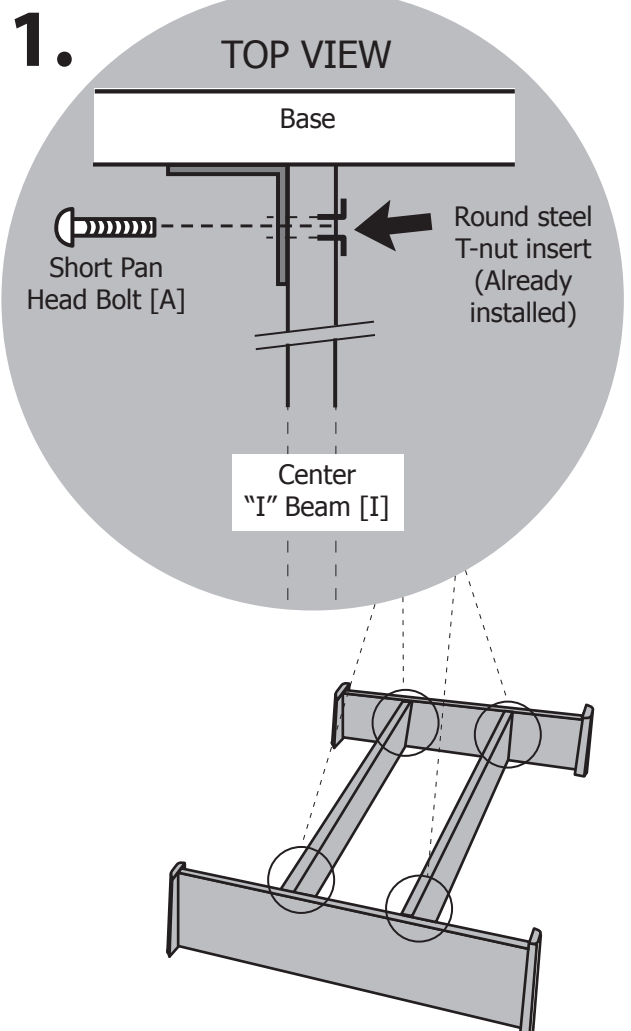
### STEP 1: Attach Center "I" Beam(s)

- On each side of Center "I" Beam(s), insert Short Pan Head Bolts [A] (1 on the top, 1 on the bottom) through steel bracket, then through the Center "I" Beam(s) plywood, and lock into T-nut inserts [L] on the far side of the plywood. These bolts clamp the plywood tight like a vise. Do this on both sets.

### Important!

Position the Center Beam & Side Rails so:

- T-nut Inserts always face away from brackets.
- To properly align holes, DO NOT FULLY TIGHTEN any bolts until all bolts are in place.



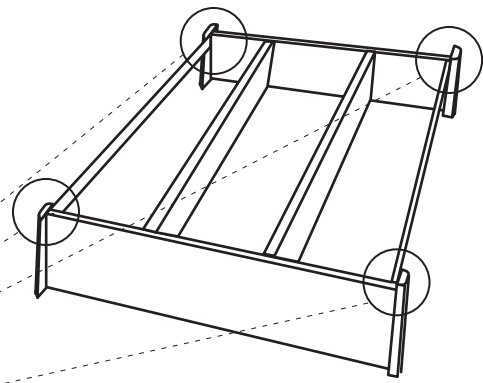
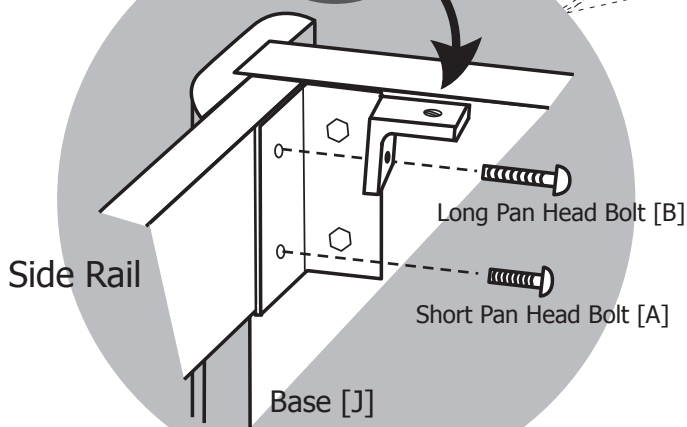
## STEP 2:

- With 1 Long Pan Head Bolt [B] and 1 Short Pan Head Bolt [A], attach Side Rails [H] to Base [J]. Apply to all four corners as shown.

- **Pay careful attention that the threaded hole in "L" Brackets [F] (marked with a circle) faces up.**

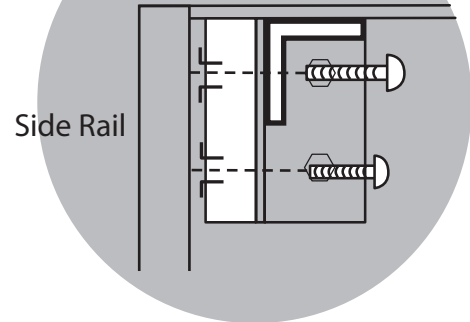
### 2.

Important!  
Threaded hole faces up!



### SIDE VIEW

[B] and [A]  
in place



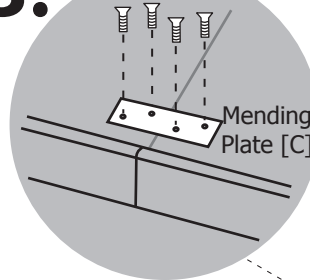
## STEP 3:

- Align the deck halves in place on top of the bases [J]. **MAKE CERTAIN** that the headboard notches in the deck are closest to the head of the bed/wall.

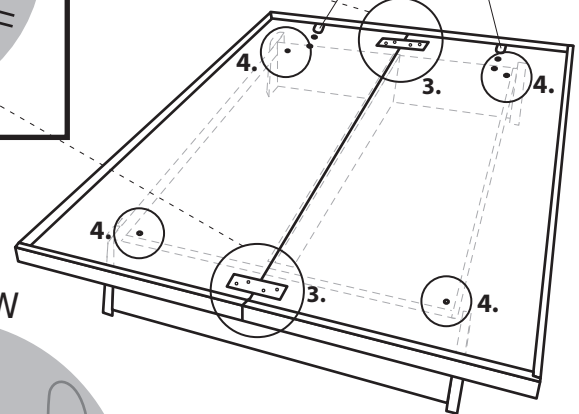
- Join the two deck halves with the Mending Plates [C] and Flat Head Bolts [D] (4 on the top, 4 on the bottom). Ends should be even at head and foot.

### 3.

Flat Head Bolts [D]



Headboard notches



## STEP 4:

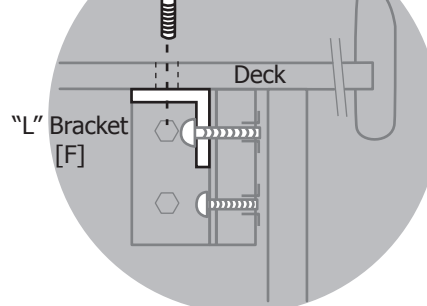
- Line up the four holes in the platform (move deck as necessary) with the "L" Brackets [F] in the base.

- Attach the deck using the Allen Bolts [G] with the Allen Wrench [E]. If you purchased under bed storage drawers, roll them underneath now.

### 4.

### SIDE VIEW

Allen Bolts [G]



## STEP 5:

- Put mattress on top of deck.
- For headboard assembly, please see additional instructions.
- Enjoy your new Bedworks Floating Platform Bed!

PAGE 2

© Bedworks 2014

**BEDWORKS**

[www.bedworks.net](http://www.bedworks.net)  
for more info and options

15 Western Avenue  
Central Square, Cambridge MA  
617.547.6000 Tues-Sat 11-6 EST