








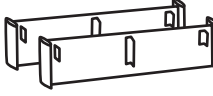






Floating Platform Bed Assembly Instructions

Queen/Double

Hardware:	BED SIZE	
	Q & D	
A 	Short Pan Head Bolts	8
B 	Long Pan Head Bolts	4
C 	Mending Plates	2
D 	Flat Head Bolts	8
E 	4mm Allen Wrench	1
F 	"L" Brackets	4
G 	Allen Bolts	4

Parts:	BED SIZE	
	Q & D	
H 	Side Beams	2
I 	Center "I" Beam	1
J 	Bases	2
K 	Top Cap	1
L 	T-nut	Already installed in beams (H+I)

BEFORE YOU BEGIN:

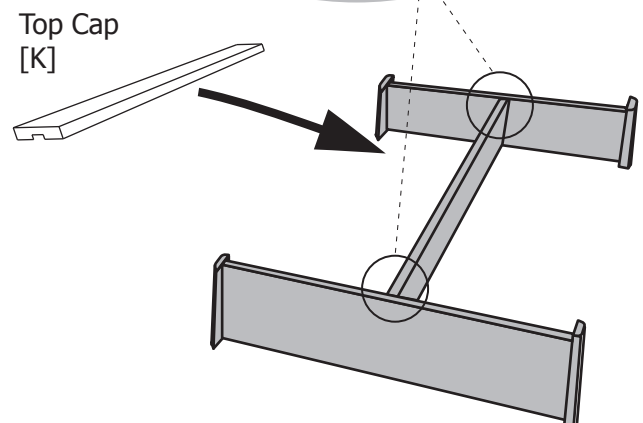
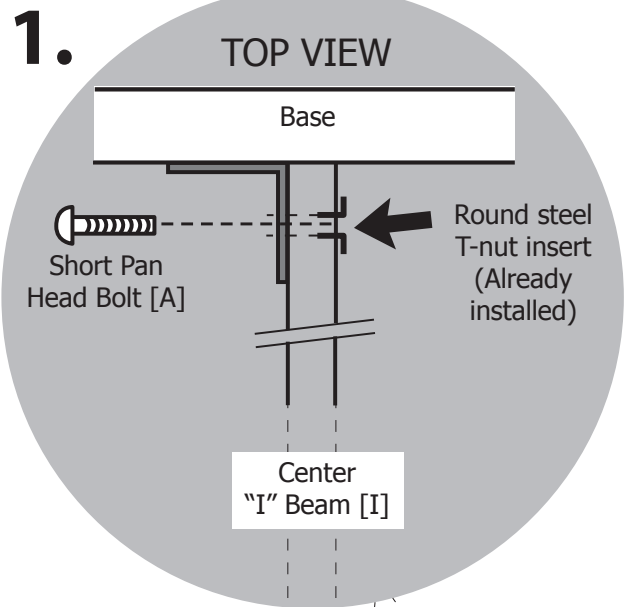
- Clear an 8' x 8' space for your new bed.
- Assembly requires only 2 tools: a 4mm Allen wrench [included] and a Phillips head screwdriver (not included).
- Please read all instructions carefully.
- See the diagrams for important details.

STEP 1: Attach Center "I" Beam(s)

- On each side of Center "I" Beam(s), insert Short Pan Head Bolts [A] (1 on the top, 1 on the bottom) through steel bracket, then through the Center "I" Beam(s) plywood, and lock into T-nut inserts [L] on the far side of plywood. These bolts clamp plywood tight in a vise.
- For Queen and Double beds, position top cap [K] on "I" Beam [I].

Important!

- Position Center Beam & Side Beams so:
- T-nut Inserts always face away from brackets.
 - To properly align holes, DO NOT FULLY TIGHTEN any bolts until all bolts are in place.



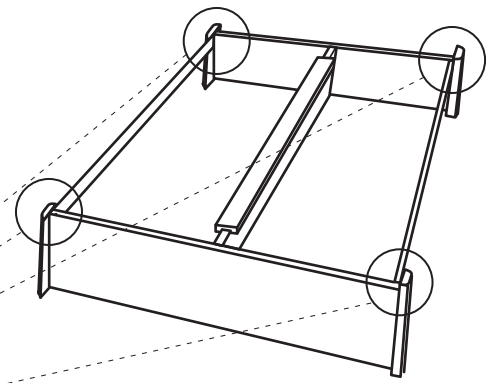
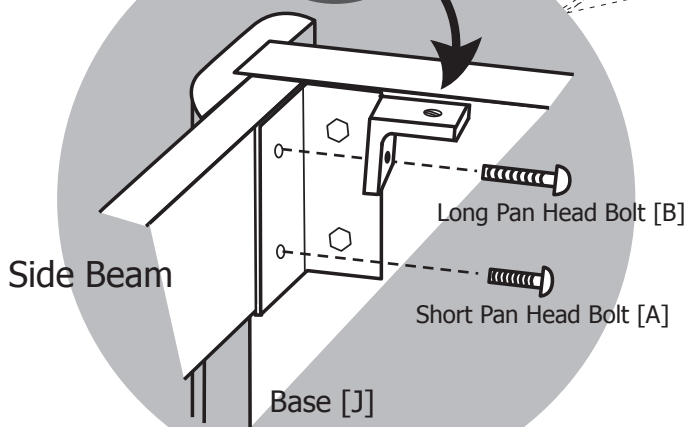
STEP 2:

- With 1 Long Pan Head Bolt [B] and 1 Short Pan Head Bolt [A], attach Side Beams [H] to Bases [J]. Bolt to all four corners as shown.

- **Pay careful attention that threaded hole in "L" Brackets [F] (marked with a circle) faces up.**

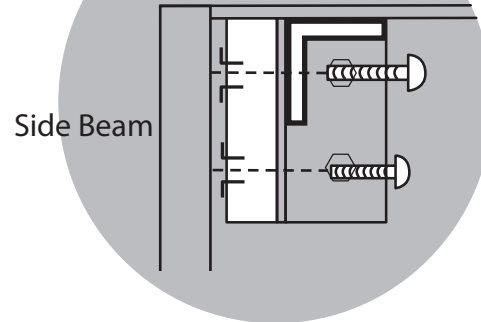
2.

Important!
Threaded hole faces up!



SIDE VIEW

[B] and [A]
in place



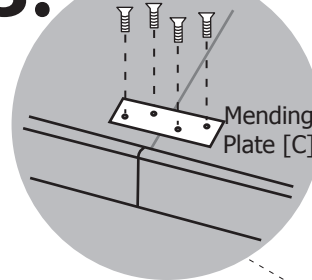
STEP 3:

- Align deck halves in place on top of bases [J]. MAKE CERTAIN deck end with headboard notches is closest to head of the bed/wall.

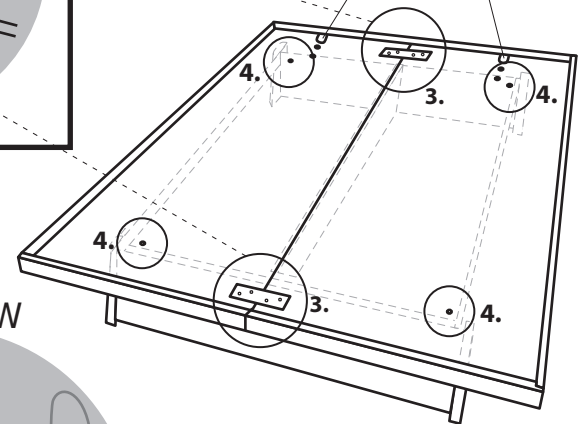
- Join two deck halves with Mending Plates [C] and Flat Head Bolts [D] (4 at head, 4 at foot). Ends should be even at head and foot.

3.

Flat Head Bolts [D]



Headboard
notches



STEP 4:

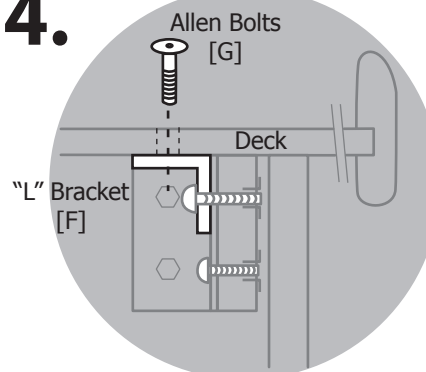
- Line up the four holes in the platform (move deck as necessary) with the "L" Brackets [F] in the base underneath.

- Attach the deck using the Allen Bolts [G] with the Allen Wrench [E]. If you purchased under bed storage drawers, roll them underneath now.

- To properly align holes, DO NOT FULLY TIGHTEN any bolts until all bolts are in place.

4.

SIDE VIEW



STEP 5:

- Put mattress on top of deck.
- For headboard assembly, please see additional instructions.
- Enjoy your new Bedworks Floating Platform Bed!